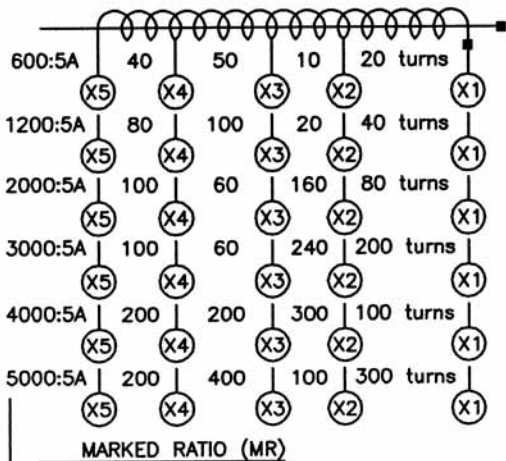
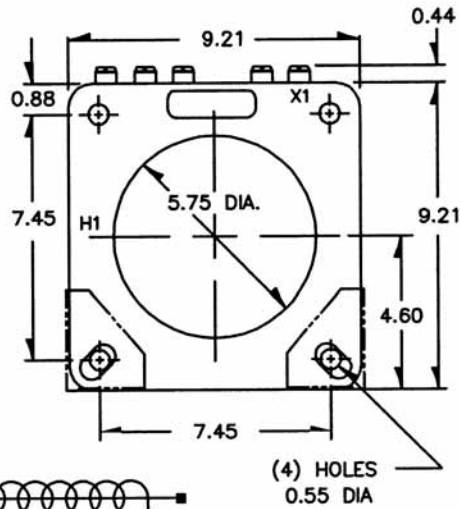
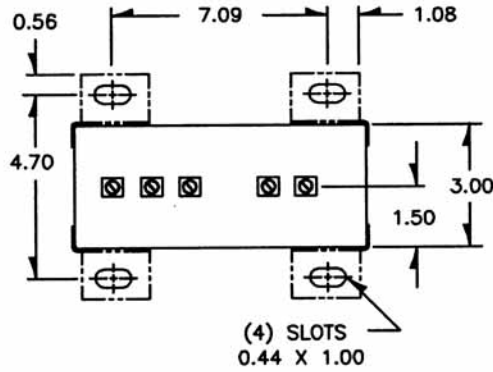
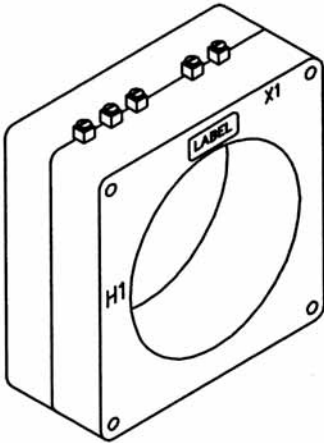


Model 135MR

Window Diameter 5.75"



Application:
Relaying

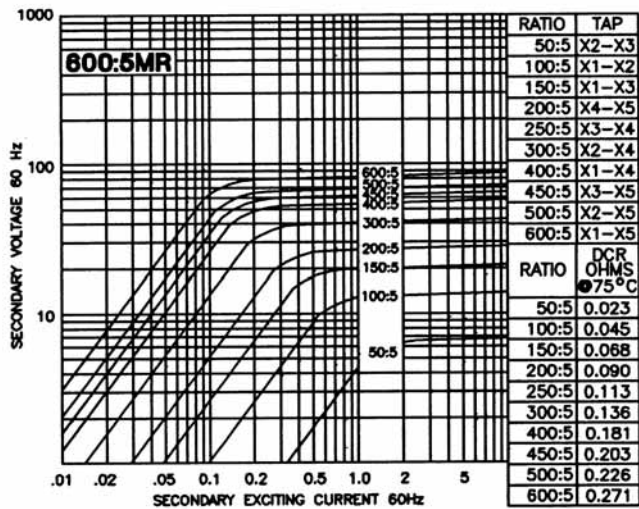
Frequency:
50 - 400Hz

Insulation Level:
600 Volts, 10kV BIL full wave

- Continuous Thermal Current Rating Factor:**
See TRF at curve
- Terminals are brass studs No. 10 - 32 with one flat washer, lockwasher and regular nut
 - The transformer winding is arranged so that the turns are fully distributed between all taps
 - Order mounting bracket kit separately
 - Approximate weight: 18 lbs

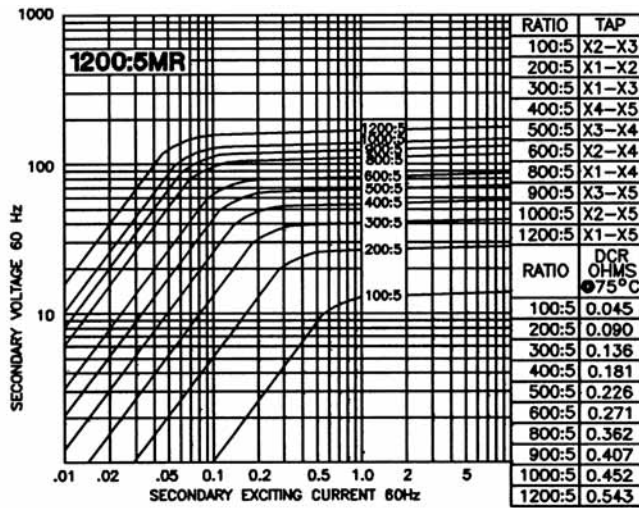
Approvals





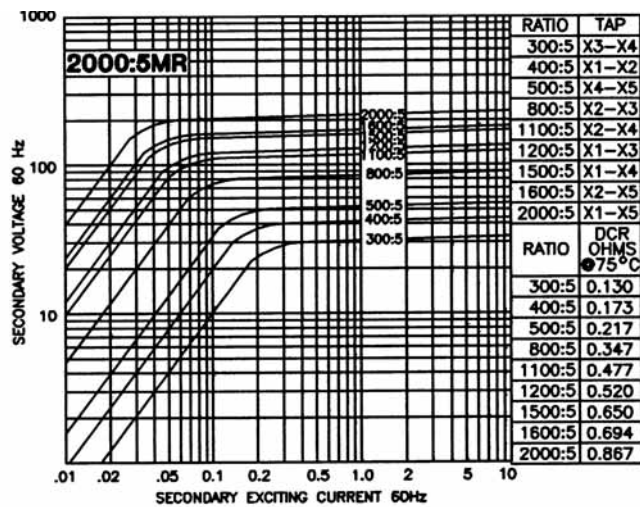
Model 135-60MR - rating C50

TRF= 2.0 @ 30°C, 2.0 @ 55°C amb.



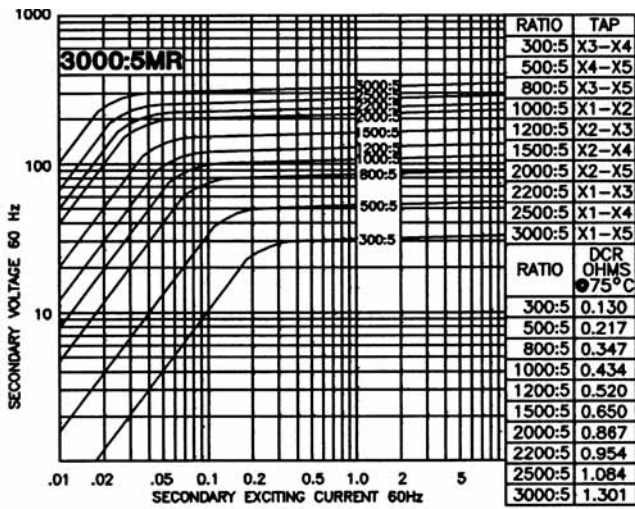
Model 135-122MR - rating C100

TRF= 1.5 @ 30°C, 1.33 @ 55°C amb.

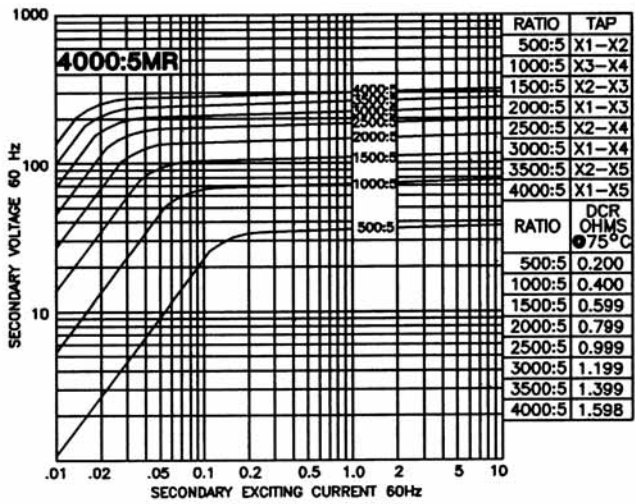


Model 135-202MR - rating C100

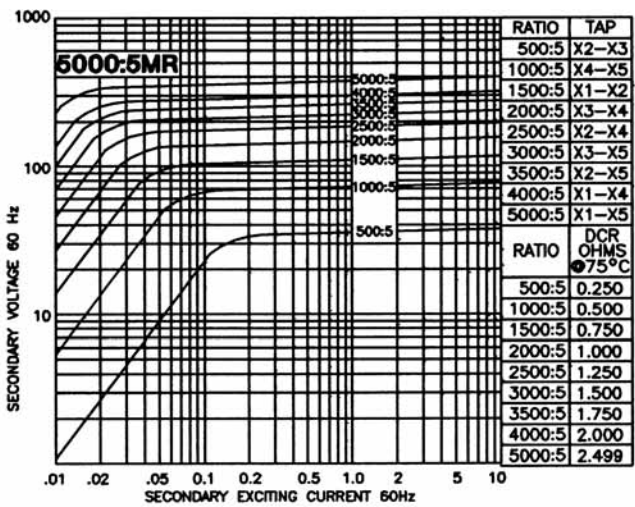
TRF= 1.0 @ 30°C, 0.8 @ 55°C amb.



Model 135-302MR - rating C200
 TRF= 1.0 @ 30°C, 0.8 @ 55°C amb.



Model 135-402MR - rating C200
 TRF= 1.0 @ 30°C, 0.6 @ 55°C amb.



Model 135-502MR - rating C200
 TRF= 1.0 @ 30°C, 0.6 @ 55°C amb.